

SKAT



## MHPG Series

Harnessing Water Power on a Small Scale

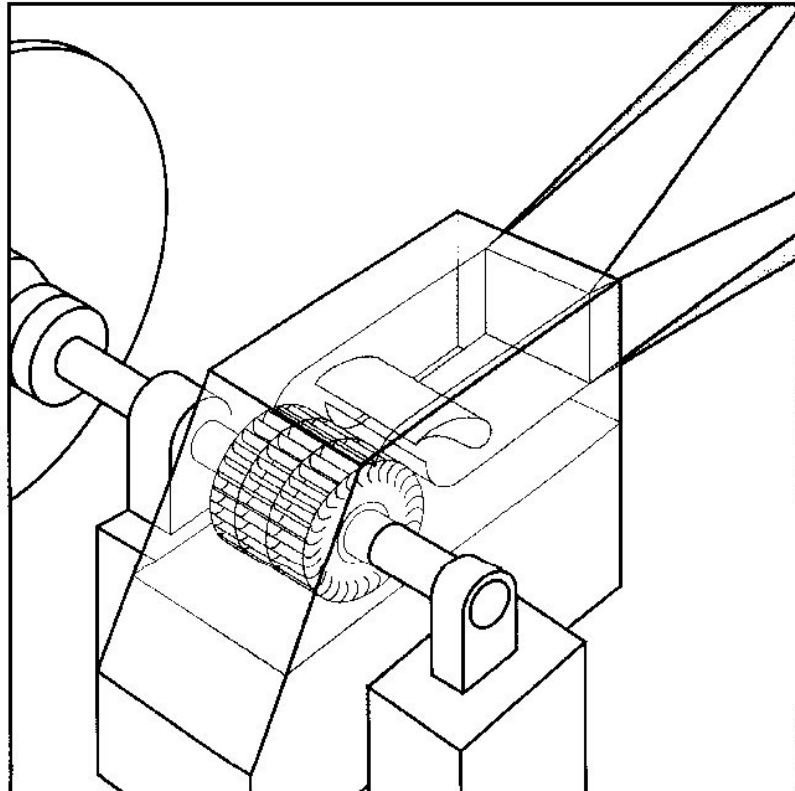
Volume 3

---

# Cross Flow Turbine Design and Equipment Engineering

---

Krishna Nakarmi, Alex Arter, Rolf Widmer, Markus Eisenring



Description:

Dimensions: x