

SKAT



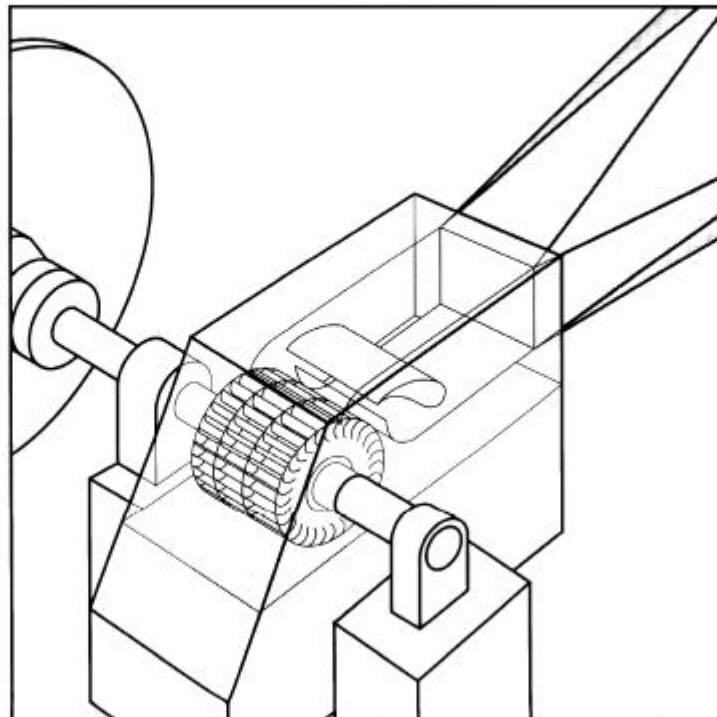
MHPG Series

Harnessing Water Power on a Small Scale

Volume 3

Cross Flow Turbine Design and Equipment Engineering

Krishna Nakarmi, Alex Arter, Rolf Widmer, Markus Eisenring



Caption:

Description:

Dimensions: 597 x 880

aperture: 0

credit: Stephanie Theis

camera:

caption:

created_timestamp: 1490109149

copyright:

focal_length: 0

iso: 0

shutter_speed: 0

title:

orientation: 0

keywords: Array